

Remote Control via W5RRR.REMOTETX.NET

- Aux (Rotor Control)
- Plug 1 (Antenna Switch)
- V3.0 2/9/23

FEATURES

Remote Antenna Switching

- R7 Vertical (10m-40m)
- TH7DX Yagi (7 el 10/15/20m)
- 2m antenna

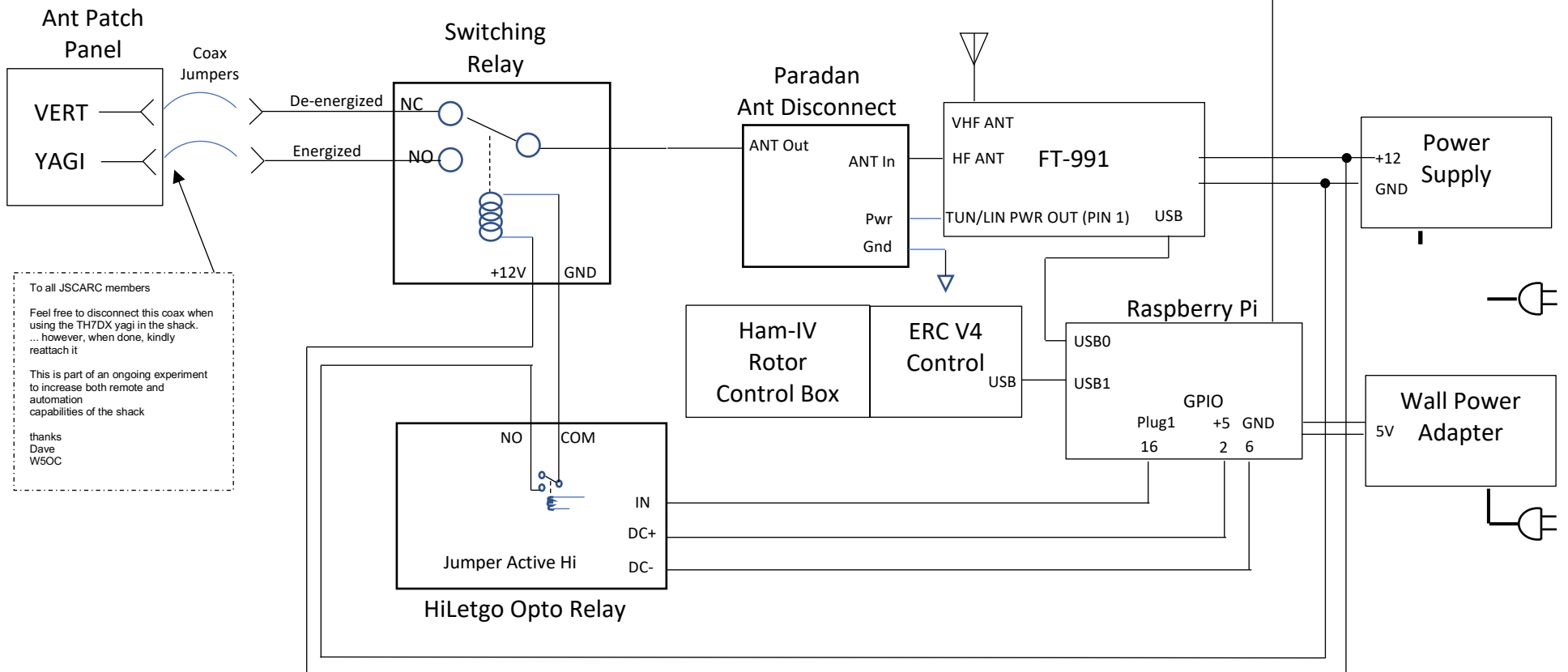
Remote Antenna Control

- Ham-IV/ERC

Remote Antenna Disconnects*

- Antenna (Paradan)
- AC (Wyze)

* not a function of remotetx



To all JSCARC members
 Feel free to disconnect this coax when using the TH7DX yagi in the shack. ... however, when done, kindly reattach it
 This is part of an ongoing experiment to increase both remote and automation capabilities of the shack
 thanks
 Dave
 W5OC